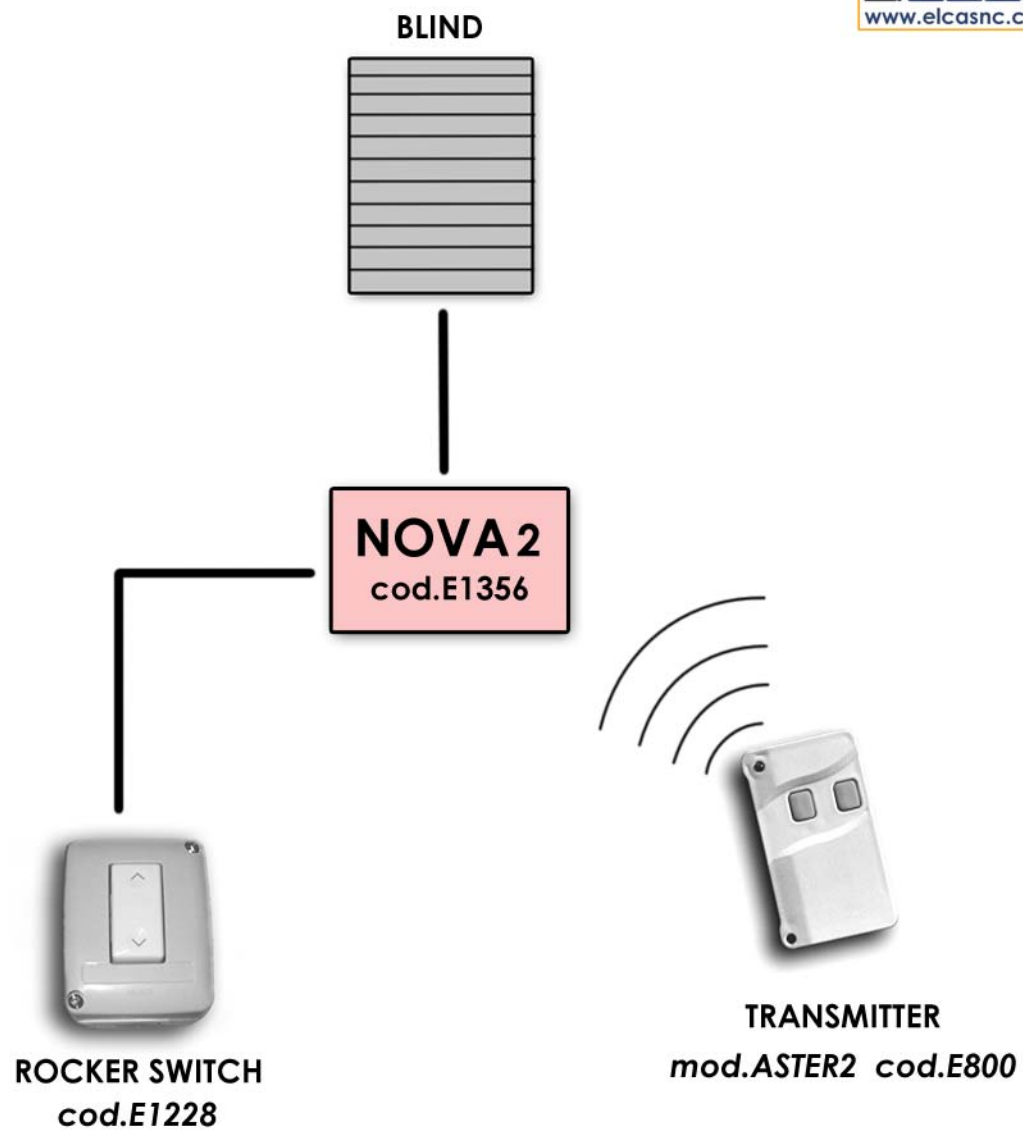
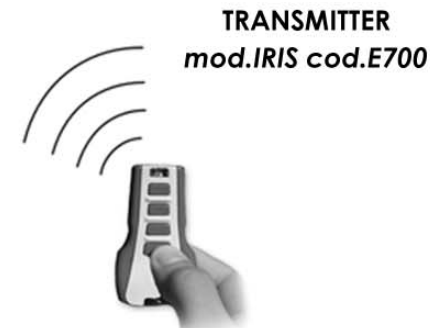
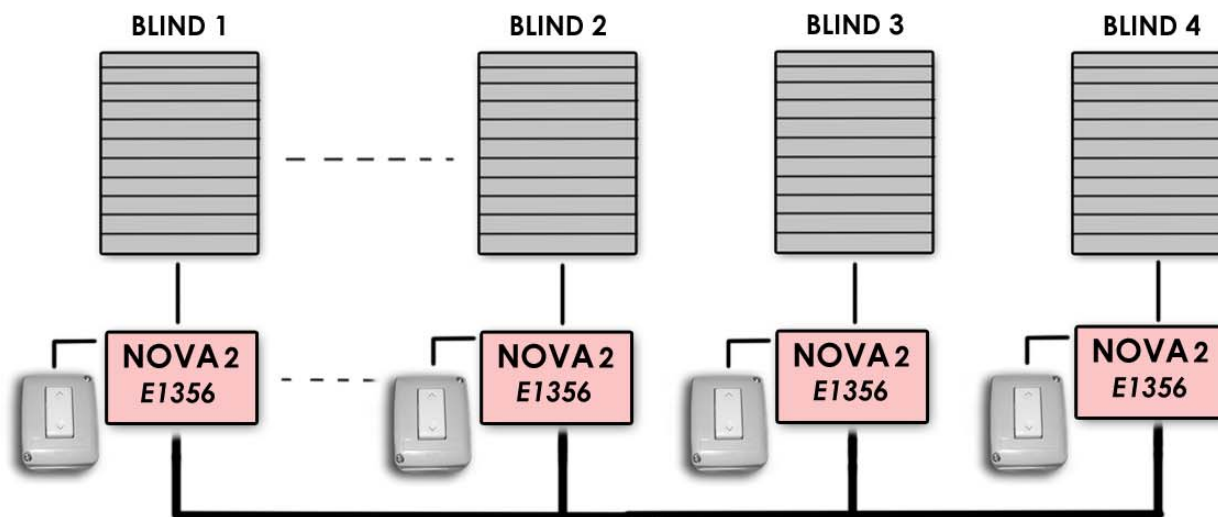


FOR N°1 BLIND:

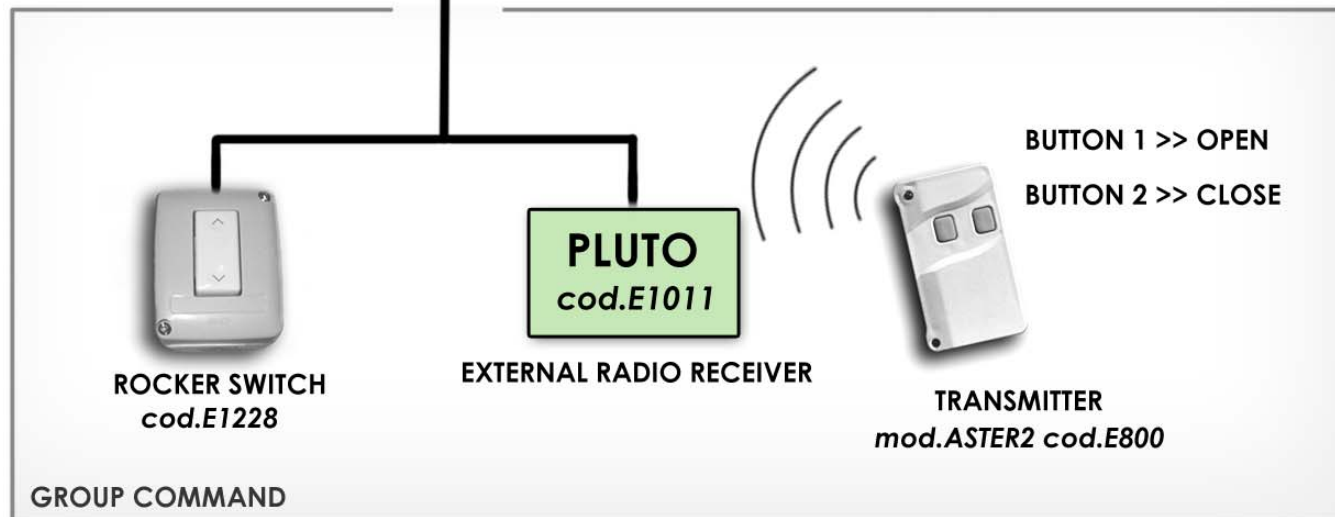


MORE THAN ONE BLIND: (THERE IS NOT LIMIT !)

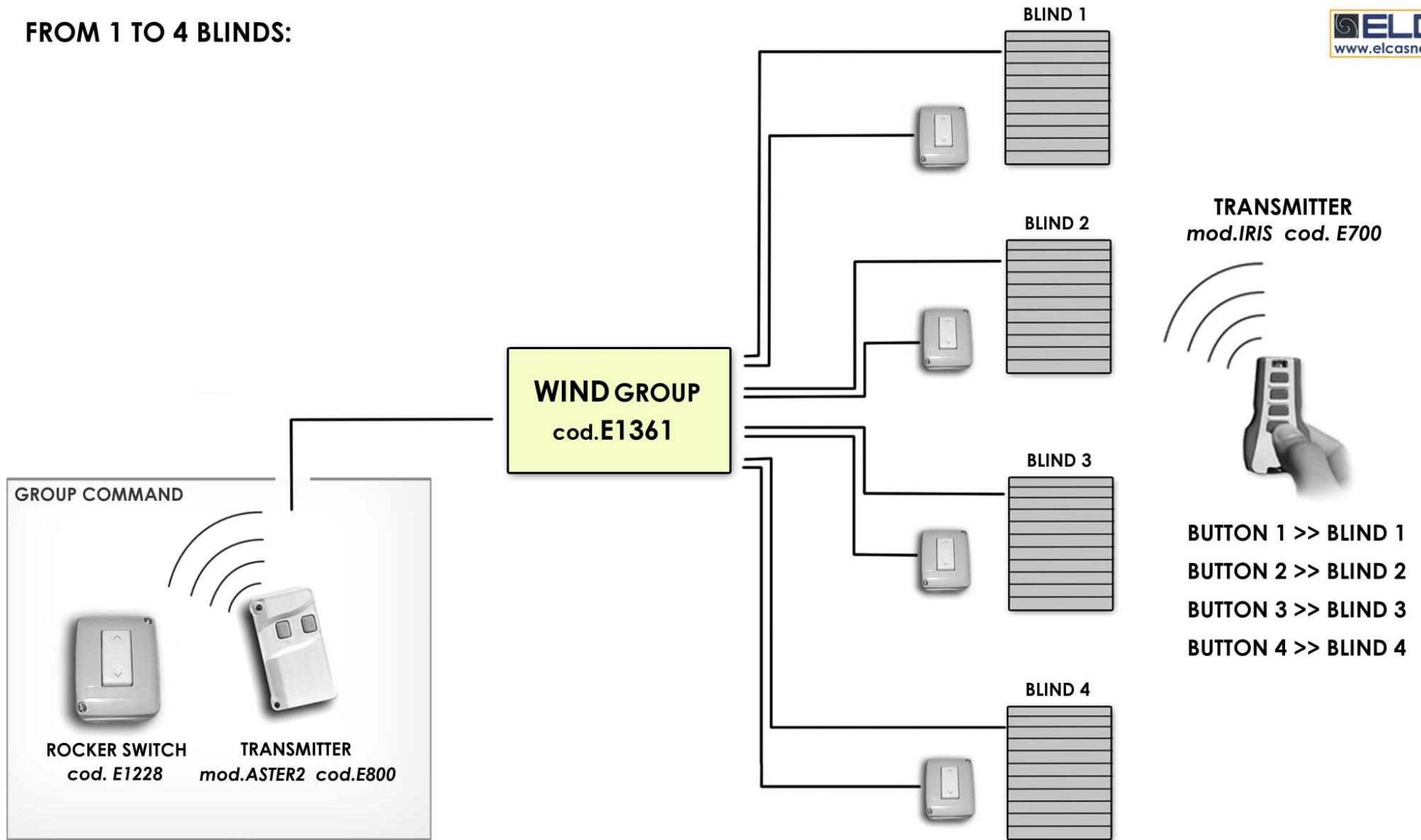


- BUTTON 1 >> BLIND 1
- BUTTON 2 >> BLIND 2
- BUTTON 3 >> BLIND 3
- BUTTON 4 >> BLIND 4

(if there are more of 4 blinds you can use the 9ch IRIS Transmitter cod.E702 to command until 9 blinds)



FROM 1 TO 4 BLINDS:



TRANSMITTER
mod.IRIS cod. E700

- BUTTON 1 >> BLIND 1**
- BUTTON 2 >> BLIND 2**
- BUTTON 3 >> BLIND 3**
- BUTTON 4 >> BLIND 4**